

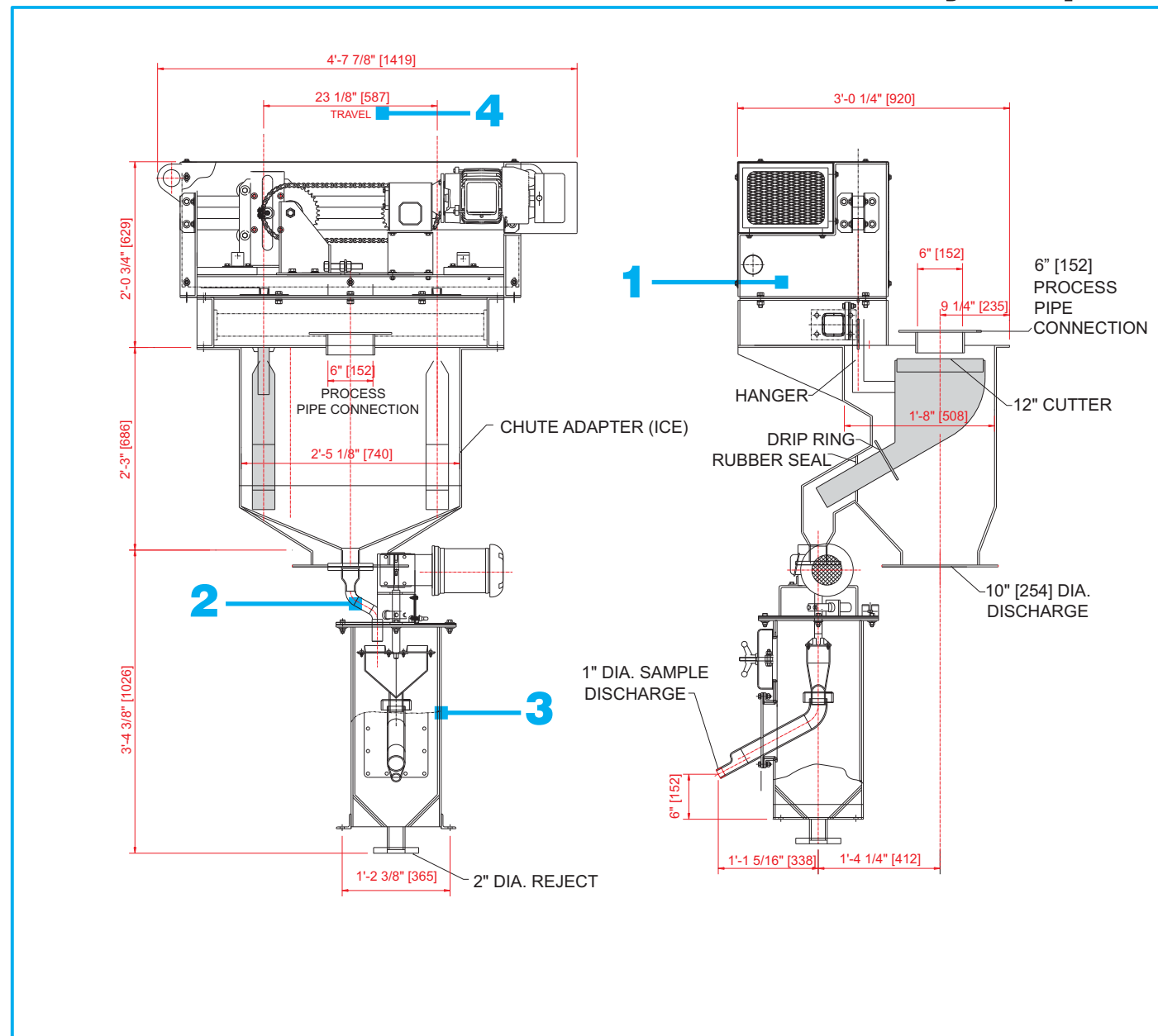
# linear samplers

LDLE Light Duty Linear Electric



HEATH & SHERWOOD

## Low Profile LDLE for Slurries with 4510 Secondary Sampler



- 1** primary sampler/low profile
  - adapts easily to plant layout
  - compact package for primary and secondary sampling
- 2** sample discharge launder connection
  - direct to secondary sampler
- 3** Model 4510 secondary sampler
- 4** cutter travel in various lengths up to 37 1/8 inches for 20" process pipe connection (cutter travel 23 1/8" for 6" process pipe connection shown above)

Heath & Sherwood (1964) Limited  
Box 340 Kirkland Lake, Ontario  
Canada P2N 3J2

Tel. (705) 567-5313  
Fax. (705) 568-8545  
Toll Free in North America:  
1 888-go sample (467-2675)  
email: [info@heathandsherwood64.com](mailto:info@heathandsherwood64.com)

Subsidiary Offices:  
Toronto, Ontario Canada  
Agents World Wide

Visit our website at:  
[www.heathandsherwood64.com](http://www.heathandsherwood64.com)



HEATH & SHERWOOD

# linear samplers

Low Profile Light Duty Linear Electric

## Economical Sampling of Low to Medium Flows for Metallurgical Accounting of Slurries or Solids

### All HS Samplers Meet or Exceed Industry's Best Standards

Increase profits from important process streams with accurate sampling. Typical applications where head room is a problem:

- vertical pipe or chute
- final tailings
- flotation feed
- cyclone overflow

#### Electric Drive System- Model LDLE (Pneumatic Drive Available- Model LDLP)

- ensures uniform cutter velocity through the material stream
- non-reversing motors last longer

#### Vapor Seal

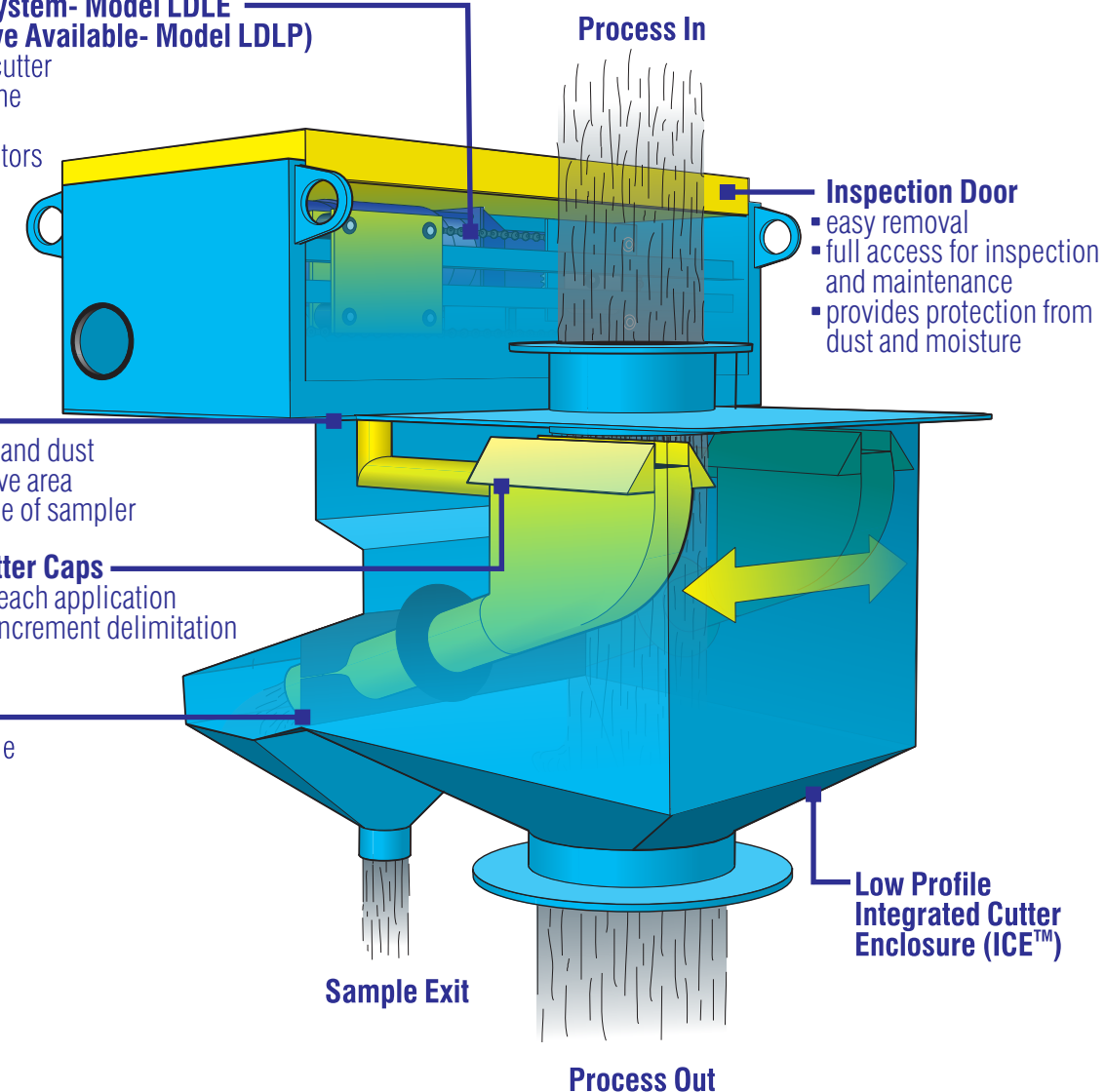
- minimizes vapor and dust from entering drive area through underside of sampler

#### Cutters and Cutter Caps

- designed to suit each application
- ensures correct increment delimitation and extraction

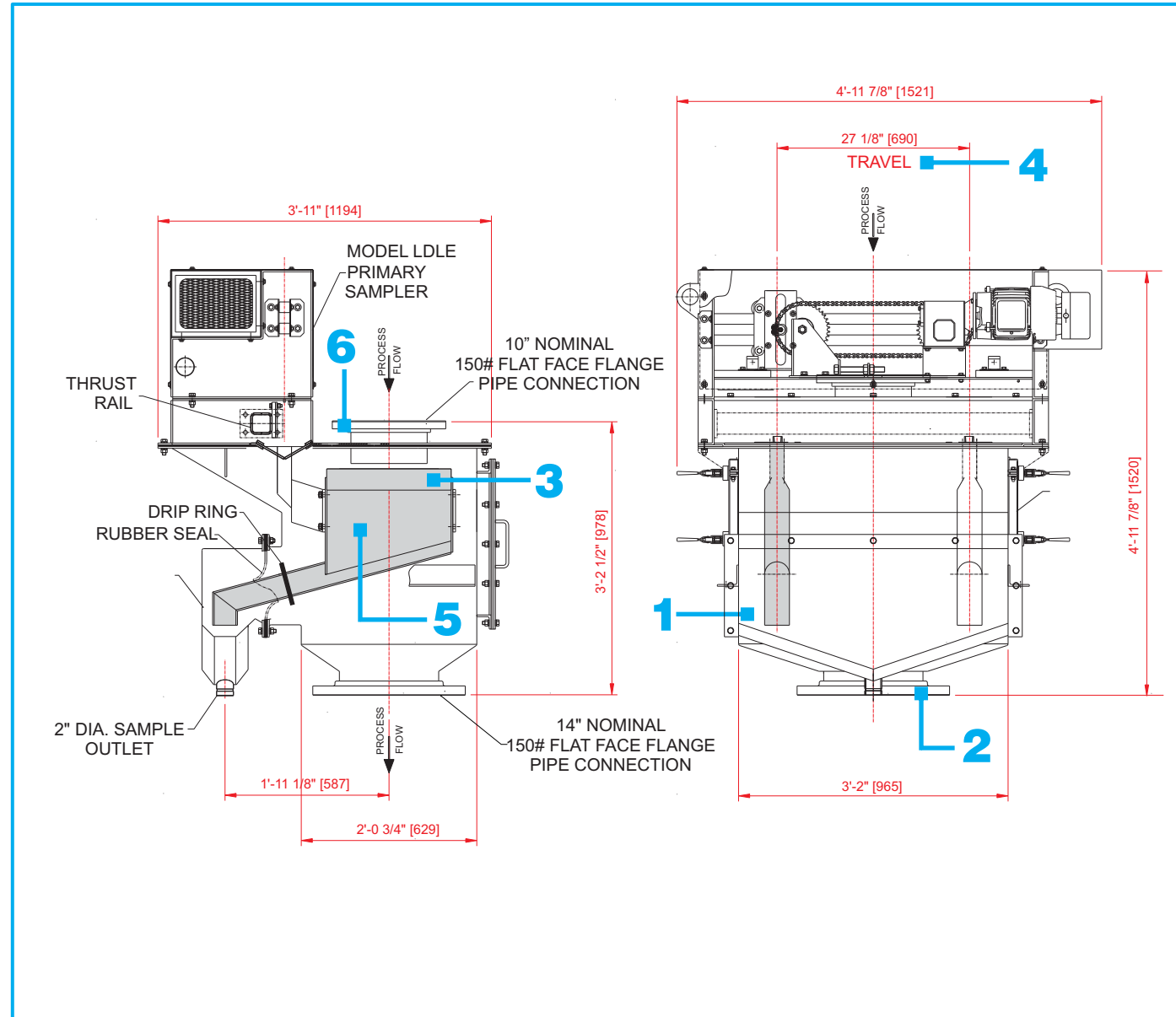
#### Rubber Seal

- eliminates sample contamination



LDLE-4 Printed in Canada

## Low Profile LDLE for Slurries



**1** low profile Integrated Cutter Enclosure (ICE™)  
- adapts easily to plant layout

**2** adapted for mounting on pump box, above mixing tank or other process equipment

**3** cutter cap  
- easily installed correctly  
- molded polyurethane or stainless steel

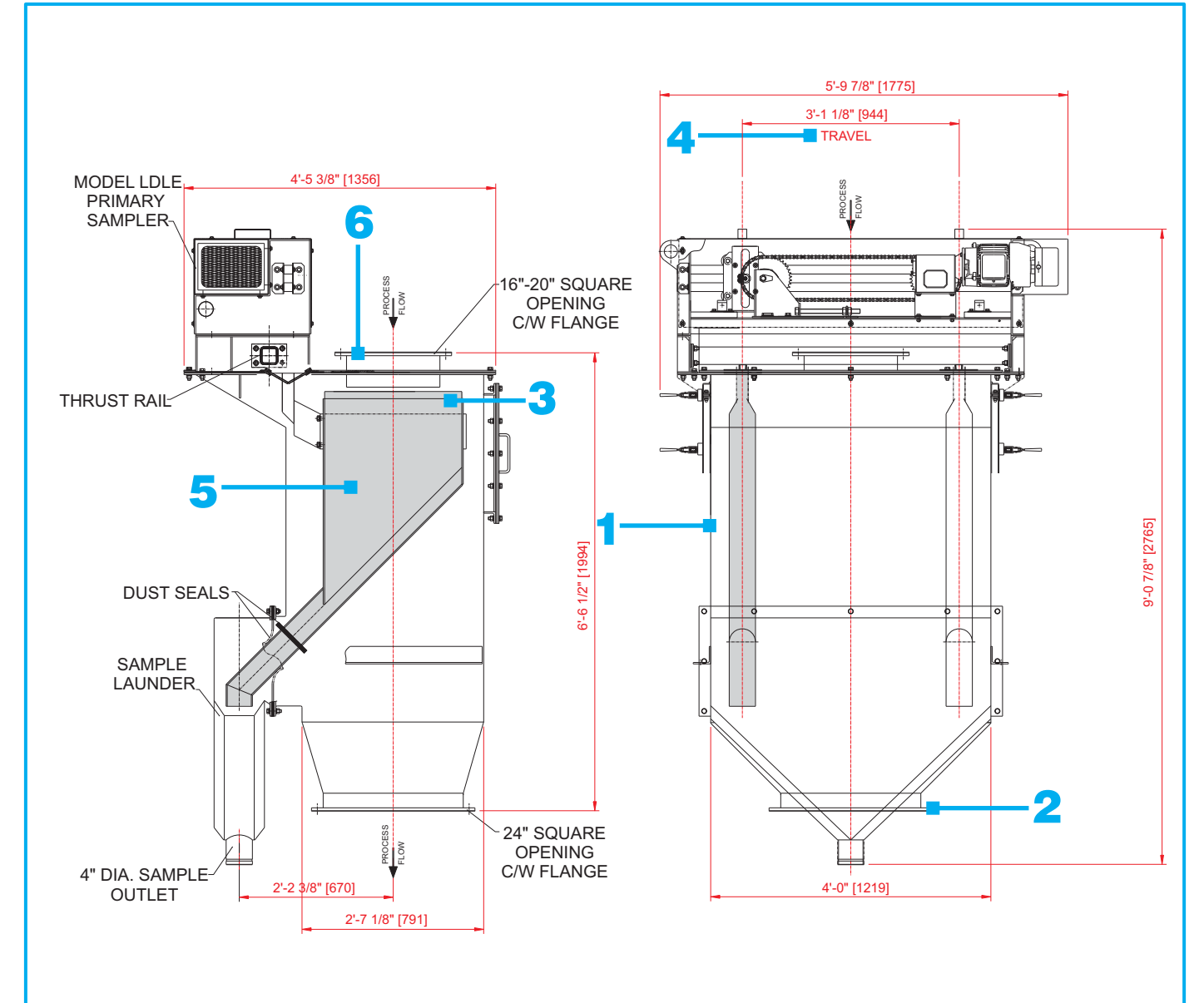
**4** cutter travel in various lengths up to maximum 37 1/8 inches for 20 inch process pipe connection. (Cutter travel 27 1/8 inches for 10 inch process pipe connection is shown above)

**5** cutter  
- various materials of construction available depending on application  
- 18 inch cutter shown (maximum 24\"/>

**6** process connections from 4\"/>

- standard electrical rating:  
- 575v/3ph/60Hz (other ratings available)
- motor:  
- up to 3/4 hp, 0.55 kW (standard)

## Low Profile LDLE for Free Flowing Solids



**1** low profile Integrated Cutter Enclosure (ICE™)  
- adapts easily to plant layout

**2** adapted for mounting in process chute, above feed hopper or other process equipment

**3** cutter cap  
- easily installed correctly  
- molded polyurethane or stainless steel

**4** cutter travel available in various lengths up to maximum 37 1/8\"/>

**5** cutter  
- various materials of construction available depending on application  
- 24 inch cutter shown (maximum size for this application with this model)

**6** various sizes of process chutes available (16\"/>

- standard electrical rating:  
- 575v/3ph/60Hz (other ratings available)
- motor:  
- up to 3/4 hp, 0.55 kW (standard)